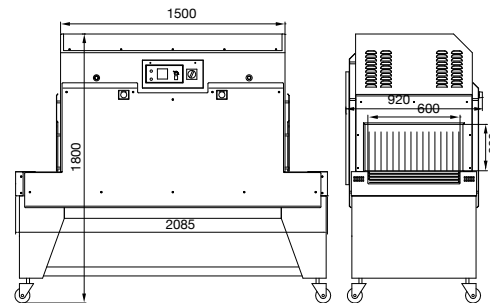
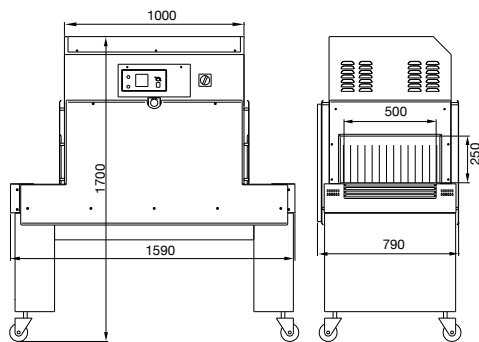


EKT-525/630

EKT-SERIES



SPECIFICATION

POWER SUPPLY
MAX. POWER CONSUMPTION
TUNNEL INLET
MACHINE DIMENSION
MACHINE WEIGHT

EKT-525

220V., 60HZ., 3-PHASE ; 400V., 50HZ., 3-PHASE
9Kw
500mm (W) X 250mm (H)
1590mm (L) X 790mm (W) X 1700mm (H)
305Kg

EKT-630

220V., 60HZ., 3-PHASE ; 400V., 50HZ., 3-PHASE
18Kw
600mm (W) X 300mm (H)
2085mm (L) X 890mm (W) X 1800mm (H)
485Kg